

3D VIEW

NOTES:

1.MATERIAL:

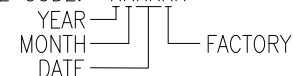
- 1.1 HOUSING: SEE TABLE
- 1.2 CONTACTS: SEE TABLE
- 1.3 SHELL: SEE TABLE

2.FINISH:

- 2.1 CONTACT: SEE P/N
- 2.2 SHELL: SEE TABLE

3.THE CONNECTOR IS RoHS COMPLIANT.

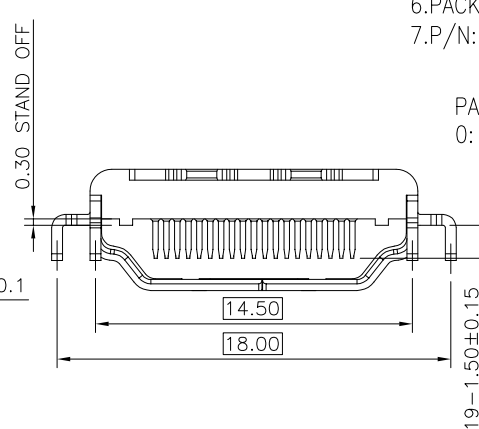
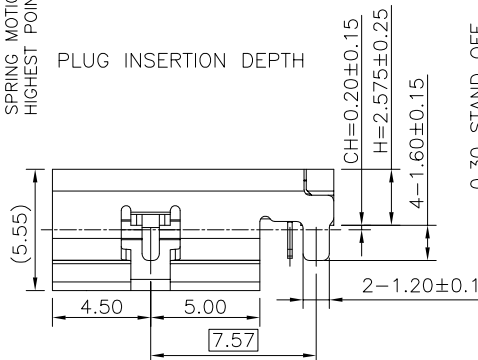
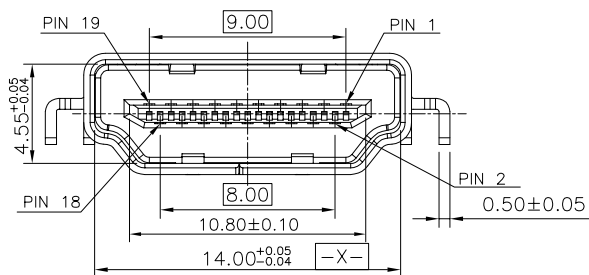
4.DATE CODE: XXXXXX



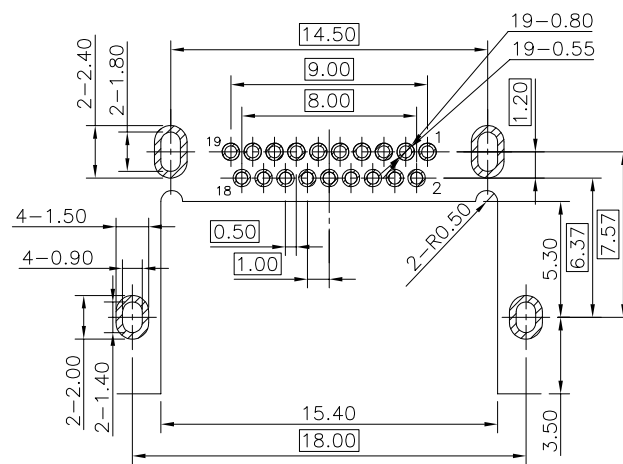
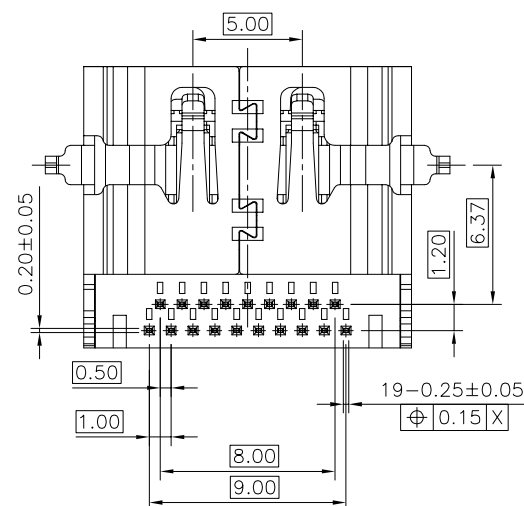
5.SPEC. PLS. REFER TO PS-30280-XXXX-XXX

6.PACKAGE PLS. REFER TO 30284-XXXX-XXX-PCK

7.P/N: 30284-019 X X-001



PIN #	SIGNAL ASSIGNMENT	PIN #	SIGNAL ASSIGNMENT
1	DATA2+	2	DATA2 SHIELD
3	DATA2-	4	DATA1+
5	DATA1 SHILED	6	DATA1-
7	DATA0+	8	DATA0 SHIELD
9	DATA0-	10	DATA3+
11	DATA3 SHIELD	12	DATA3-
13	CEC	14	UTILITY
15	SCL	16	SDA
17	DDC/CEC GROUND	18	+5V POWER
19	HOT PLUG DETECT		



RECOMMENDED PCB LAYOUT (COMPONENT SIDE)  
(TOLERANCE:±0.05)

NO	DESCRIPTION	Q'TY	MATERIAL	PLATING & COLOR
C	SHELL	1	SUS 304, T=0.50mm	50u" MIN. NICKEL PLATED
B	TERMINAL	19	BRASS, T=0.20mm	CONTACT AREA: SEE P/N SOLDER AREA: 75u" MIN MATTE TIN PLATED 50u" MIN. NICKEL UNDERPLATED OVER ALL
A	HOUSING	1	HIGH TEMP. THERMOPLASTIC(LCP)	UL 94V-0, COLOR: BLACK

QUALITY SYMBOLS	DRAWN BY	DATE	
MAJOR	LIAO WAN TING	'22/06/21	
CRITICAL	CHECKED BY	DATE	<b>ACES ELECTRONICS</b> TITLE HDMI A 2.1 STD SINK RECEPTACLE T/H R/A CH=-0.20mm
GENERAL TOLERANCES (UNLESS SPECIFIED)	TENG CHANG HO	'22/06/21	
X. ±0.5	APPROVED BY	DATE	RFQ NO.
.X ±0.25	KUO JUNG HSUN	'22/06/21	RFQ-1022-220420-01
.XX ±0.15	UNITS	SIZE	REV
.XXX ±0.1	mm	A4	A
ANGLES ±2°	SCALE	SHEET NO.	DWG NO.
	X : X	1 OF 1	30284-XXXX-XXX